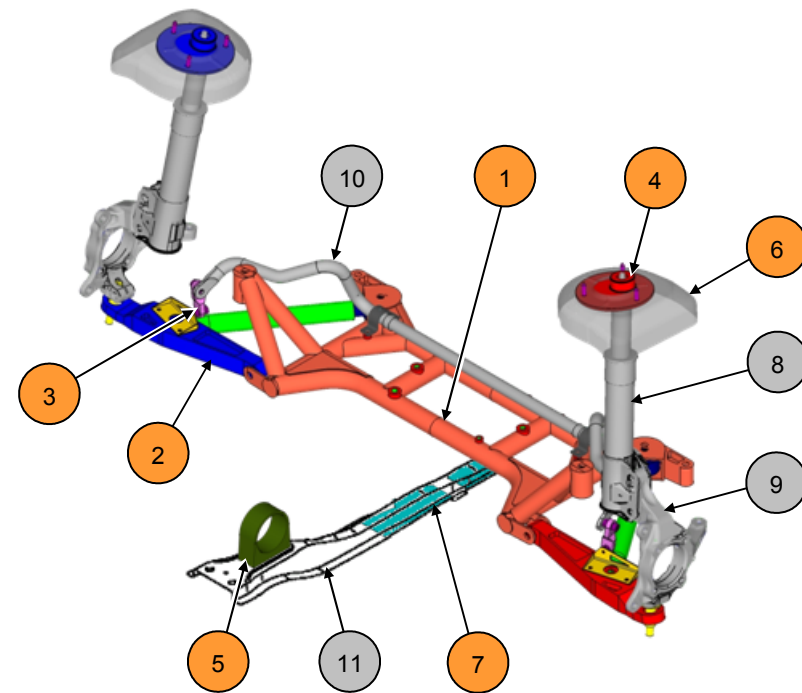


# Mitsubishi Lancer Evolution X R4 kit

VR4 homologation extension authorises the following parts and modifications for R4 category, the remaining needs to conform to Group N regulations  
 All R4 parts and modifications, except the side impact protection kit (items 5-8 in 'Body' group), are optional in R4 category  
 All R4 parts are clearly identified on the diagrams below; standard and Group N parts are shown for reference and are not supplied with the kit  
 All items marked with asterisk \* are modifications that are not supplied as part of the kit and need to be done by own means

## Front suspension



### R4 parts

|    |                                  |
|----|----------------------------------|
| 1  | Crossmember                      |
| 2  | Lower arm assy LH/RH             |
| 3  | ARB link assy LH/RH              |
| 4  | Top mount assy LH/RH             |
| 5  | Gearbox mount bracket            |
| *6 | Spring housing modification      |
| 7  | Centremember reinforcement panel |

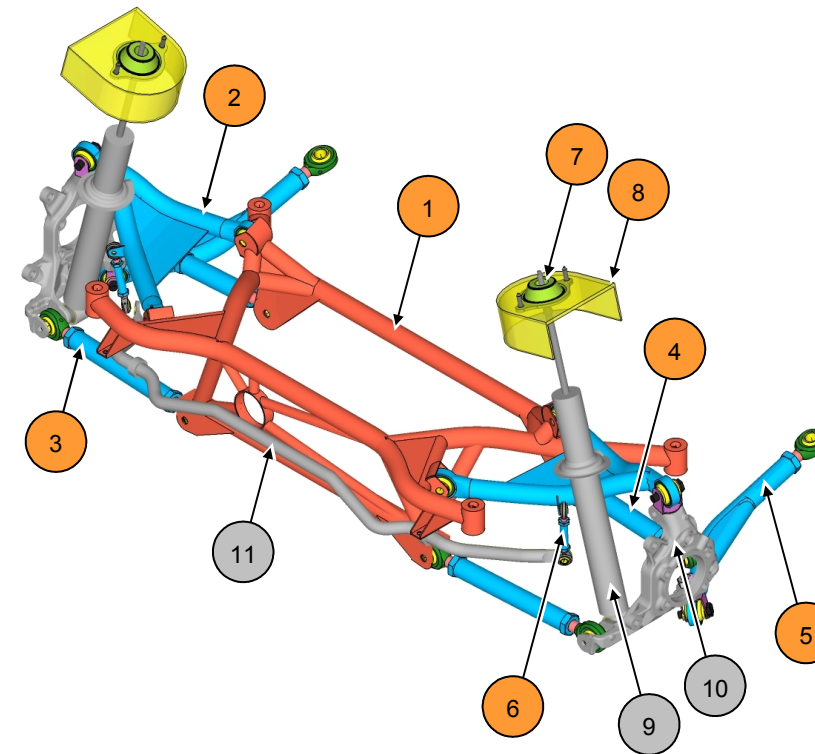
### Standard parts

|    |                          |
|----|--------------------------|
| 8  | GpN/R4 damper assy LH/RH |
| 9  | Steering knuckle LH/RH   |
| 10 | Anti-roll bar            |
| 11 | Centremember             |

### Notes

- (1) – (3) to be used together as kit
- (4) bearing spec D22 H28
- (6) only required if using (4)

## Rear suspension



### R4 parts

|    |                             |
|----|-----------------------------|
| 1  | Crossmember                 |
| 2  | Upper arm assy LH/RH        |
| 3  | Camber rod assy LH/RH       |
| 4  | Toe rod assy LH/RH          |
| 5  | Longitudinal rod assy LH/RH |
| 6  | ARB link assy LH/RH         |
| 7  | Top mount assy LH/RH        |
| *8 | Spring housing modification |

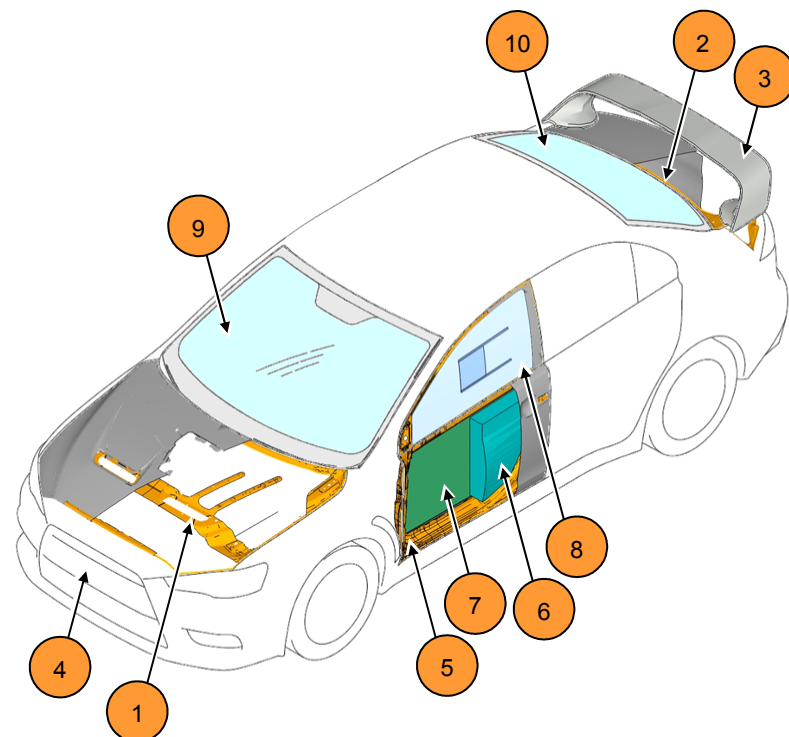
### Standard parts

|    |                          |
|----|--------------------------|
| 9  | GpN/R4 damper assy LH/RH |
| 10 | Knuckle LH/RH            |
| 11 | Anti-roll bar            |

### Notes

- (1) – (6) to be used together as kit
- (7) bearing spec D18 H23

## Body



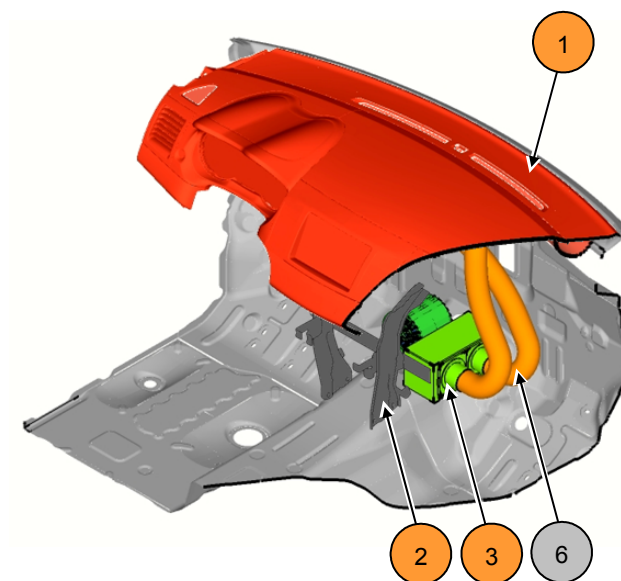
### R4 parts

|    |                                 |
|----|---------------------------------|
| *1 | Bonnet panel modification       |
| *2 | Boot lid panel modification     |
| *3 | Rear spoiler modification       |
| 4  | Front bumper support bar        |
| *5 | Door panel modification         |
| 6  | Door side impact absorbing foam |
| 7  | Composite door card             |
| 8  | Polycarbonate side window       |
| 9  | Laminated windscreen            |
| 10 | Polycarbonate rear window       |

### Notes

- (5) – (8) applicable to all four doors
- (5) – (8) compulsory for R4 category
- (9) has to be ordered separately

## Interior



### R4 parts

|    |                                    |
|----|------------------------------------|
| 1  | Dashboard assy                     |
| *2 | Dashboard bracket removal          |
| 3  | Heater unit                        |
| *4 | Dashboard wiring loom modification |

### Free parts

|   |                           |
|---|---------------------------|
| 5 | Dashboard support bracket |
| 6 | Heater ducting            |

### Notes

- Mounting of (3) is free
- (4) and (5) not shown on diagram
- (6) not included in kit